

Sidestream Separators

Introduction

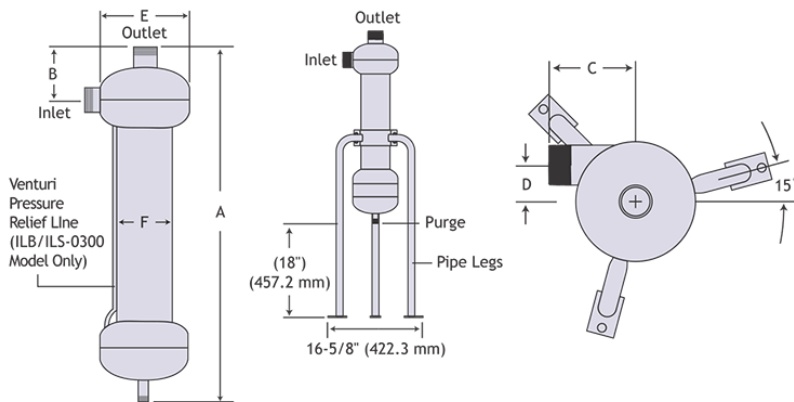
Side stream separators are high performance liquid-solids separator system which are effective over a wide range of flow capacities. With no moving parts they are a simple yet effective alternative to standard filtering options.

Key Features

- No moving parts to wear out
- No screens, cartridges, cones or filter elements to clean or replace
- **No backflushing**

ILB / ILS Series

The ILB/ILS separators series are the versatile low flow rate filtration solution, ideal for low solids handling applications. These separators are designed to remove sand, silt, grit, and scale. They are available in both carbon and stainless steel.



Design Parameters/Technical Specification

Flow Range	:	14.3 – 24.5 M3/Hr
Inlet	:	2" BSP
Outlet	:	2" BSP
Purge	:	3/4" BSP
Orientation	:	Vertical
Accessible	:	No
Pressure drop	:	0.3 – 0.8 Bar (Design Flow Rate Not Known)
Pressure Rating	:	10.3 Bar
Material	:	Carbon Steel
Weight (Empty)	:	23.6 Kgs
Operating Weight	:	44.4 Kgs