

Qty. Description

1 CRN 155-5-2 A-F-A-E-HQQE



Note! Product picture may differ from actual product

Product No.: [99143276](#)

Vertical, multistage centrifugal pump with inlet and outlet ports on same the level (inline). Pump materials in contact with the liquid are in high-grade stainless steel. A built-in thrust-handling device absorbs hydraulic axial forces which enables the use of a standard motor.

The Grundfos cartridge shaft seal ensures high reliability, safe handling, and easy access and service. Wear parts in the shaft seal are available as service kits and can be replaced without having to renew the complete shaft seal. Power transmission is via a rigid split coupling. Pipe connection is via DIN flanges.

The pump is fitted with a 3-phase, fan-cooled asynchronous motor.

Controls:

Frequency converter: NONE

Liquid:

Pumped liquid: Water
Liquid temperature range: -40 .. 120 °C
Liquid temperature during operation: 20 °C
Density: 998.2 kg/m³

Technical:

Pump speed on which pump data are based: 2979 rpm
Rated flow: 155 m³/h
Rated head: 121.9 m
Pump orientation: Vertical
Shaft seal arrangement: Single
Code for shaft seal: HQQE
Curve tolerance: ISO9906:2012 3B

Materials:

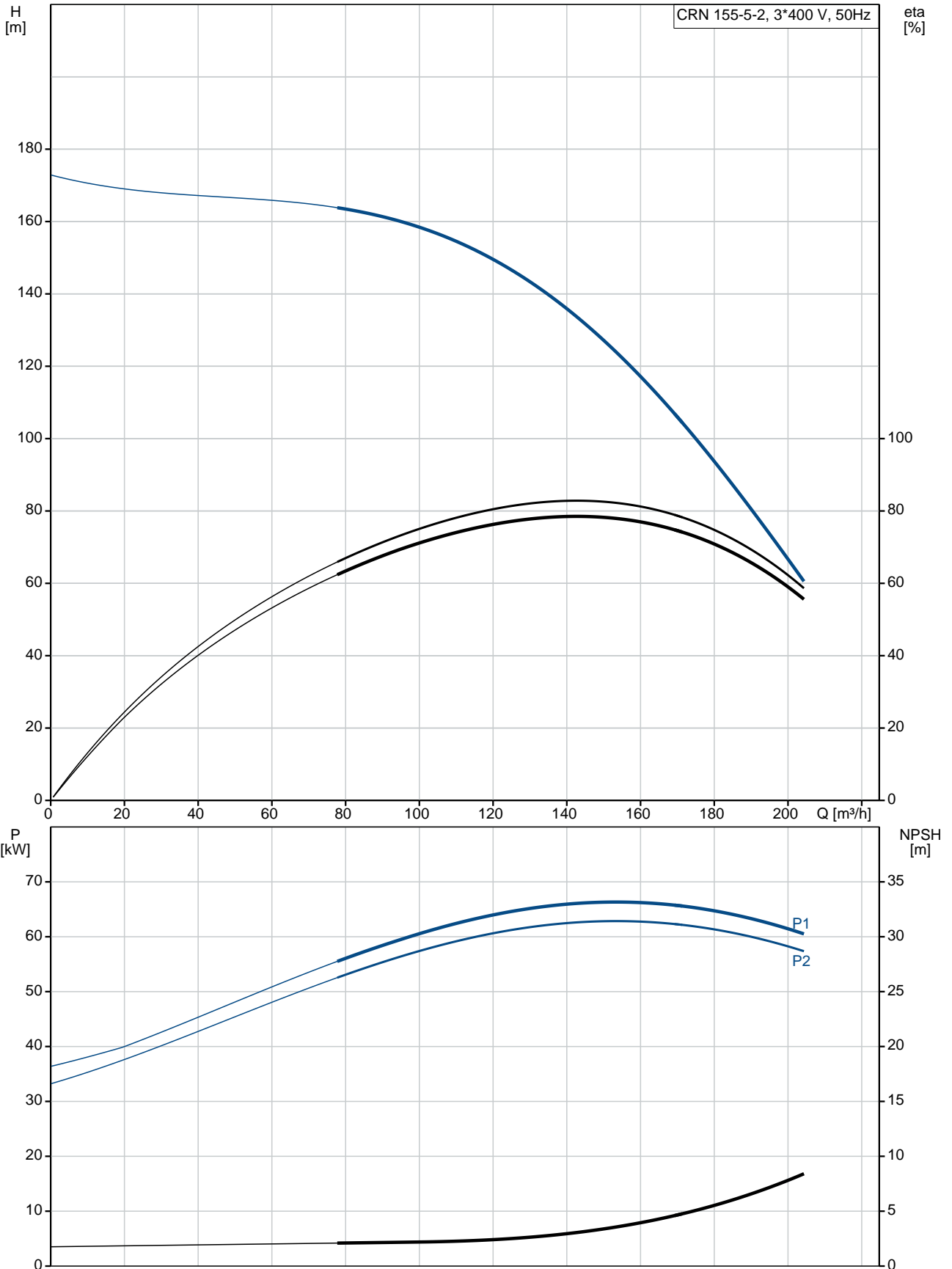
Base: Stainless steel
EN 1.4408
Impeller: Stainless steel
EN 1.4401
Bearing: WC/WC
Support bearing: Graflon
Thrust handling device: SiC/WC
Material certified according to: European standards

Installation:

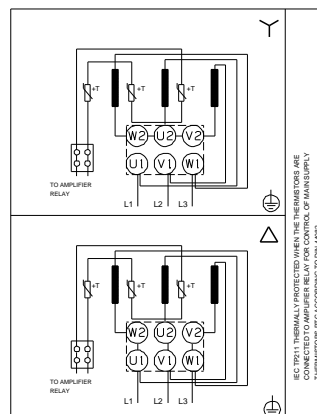
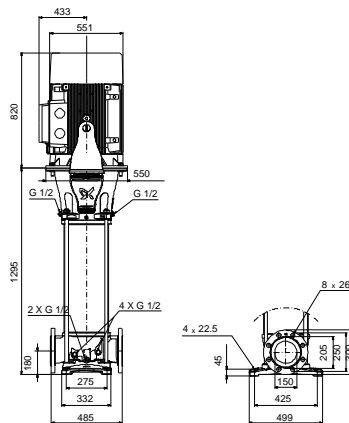
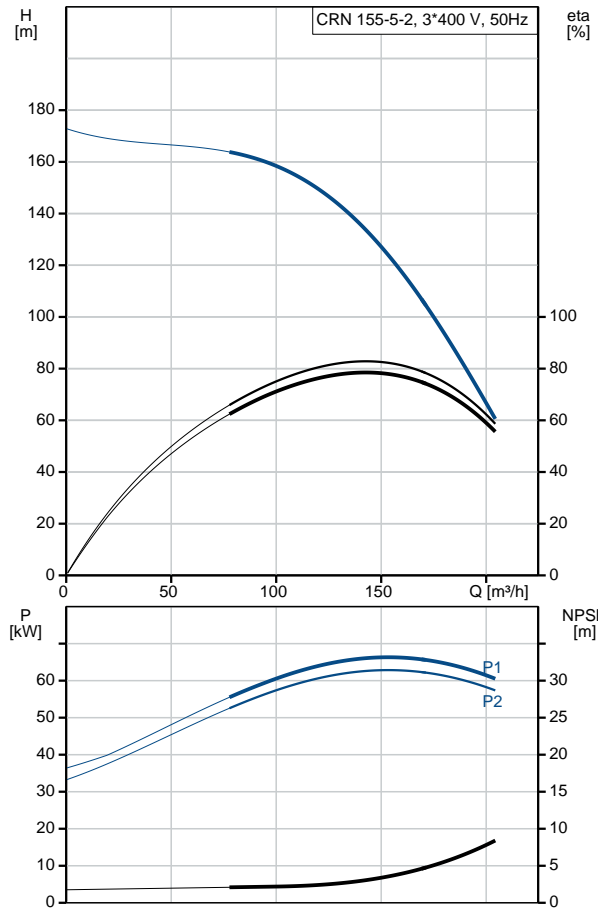
Maximum ambient temperature: 55 °C

| Qty. | Description |
|------|---|
| | <p>Maximum operating pressure: 25 bar Max pressure at stated temp: 25 bar / 120 °C Type of connection: DIN Size of inlet connection: DN 150 Size of outlet connection: DN 150 Pressure rating for pipe connection: PN 25/40 Flange size for motor: FF500</p> <p>Electrical data: Motor standard: IEC Motor type: SIEMENS IE Efficiency class: IE3 Rated power - P2: 75 kW Power (P2) required by pump: 75 kW Mains frequency: 50 Hz Rated voltage: 3 x 380-420D/660-725Y V Rated current: 135-125/78,0-72,0 A Starting current: 680-680 % Cos phi - power factor: 0.89 Rated speed: 2975 rpm Efficiency: IE3 94,7% Motor efficiency at full load: 94.7-94.7 % Motor efficiency at 3/4 load: 94.8-94.8 % Motor efficiency at 1/2 load: 94.1-94.1 % Number of poles: 2 Enclosure class (IEC 34-5): 55 Dust/Jetting Insulation class (IEC 85): F</p> <p>Others: Net weight: 764 kg Gross weight: 913 kg Shipping volume: 2.22 m³ Thrust handling device: Y Approvals: CE, EAC, ACS, WRAS Country of origin: DK Custom tariff no.: 84137075</p> |

99143276 CRN 155-5-2 A-F-A-E-HQQE 50 Hz



| Description | Value |
|--|------------------------------|
| General information: | |
| Product name: | CRN 155-5-2 A-F-A-E-HQQE |
| Product No: | 99143276 |
| EAN number: | 5712607553173 |
| Technical: | |
| Pump speed on which pump data are based: | 2979 rpm |
| Rated flow: | 155 m ³ /h |
| Rated head: | 121.9 m |
| Head max: | 172.7 m |
| Stages: | 5 |
| Impellers: | 5 |
| Number of reduced-diameter impellers: | 2 |
| Low NPSH: | N |
| Pump orientation: | Vertical |
| Shaft seal arrangement: | Single |
| Code for shaft seal: | HQQE |
| Curve tolerance: | ISO9906:2012 3B |
| Pump version: | A |
| Model: | A |
| Cooling: | IC 411 |
| Materials: | |
| Base: | Stainless steel EN 1.4408 |
| Impeller: | Stainless steel EN 1.4401 |
| Material code: | A |
| Code for rubber: | E |
| Bearing: | WC/WC |
| Support bearing: | Graflon |
| Thrust handling device: | SiC/WC |
| Material certified according to: | European standards |
| Installation: | |
| Maximum ambient temperature: | 55 °C |
| Maximum operating pressure: | 25 bar |
| Max pressure at stated temp: | 25 bar / 120 °C |
| Type of connection: | DIN |
| Size of inlet connection: | DN 150 |
| Size of outlet connection: | DN 150 |
| Pressure rating for pipe connection: | PN 25/40 |
| Flange size for motor: | FF500 |
| Connect code: | F |
| Liquid: | |
| Pumped liquid: | Water |
| Liquid temperature range: | -40 .. 120 °C |
| Liquid temperature during operation: | 20 °C |
| Density: | 998.2 kg/m ³ |
| Electrical data: | |
| Motor standard: | IEC |
| Motor type: | SIEMENS |
| IE Efficiency class: | IE3 |
| Rated power - P2: | 75 kW |
| Power (P2) required by pump: | 75 kW |
| Mains frequency: | 50 Hz |
| Rated voltage: | 3 x 380-420D/660-725 V |
| Rated current: | 135-125/78,0-72,0 A |
| Starting current: | 680-680 % |





Company name:

Created by:

Phone:

Date:

12/03/2019

| Description | Value |
|--------------------------------|---------------------|
| Cos phi - power factor: | 0.89 |
| Rated speed: | 2975 rpm |
| Efficiency: | IE3 94,7% |
| Motor efficiency at full load: | 94.7-94.7 % |
| Motor efficiency at 3/4 load: | 94.8-94.8 % |
| Motor efficiency at 1/2 load: | 94.1-94.1 % |
| Number of poles: | 2 |
| Enclosure class (IEC 34-5): | 55 Dust/Jetting |
| Insulation class (IEC 85): | F |
| Motor protec: | PTC |
| Motor No: | 83U15240 |
| Controls: | |
| Frequency converter: | NONE |
| Others: | |
| Net weight: | 764 kg |
| Gross weight: | 913 kg |
| Shipping volume: | 2.22 m ³ |
| Thrust handling device: | Y |
| Approvals: | CE, EAC, ACS, WRAS |
| Country of origin: | DK |
| Custom tariff no.: | 84137075 |