

# ART 66

## PN20 Brass Spring Check Valve



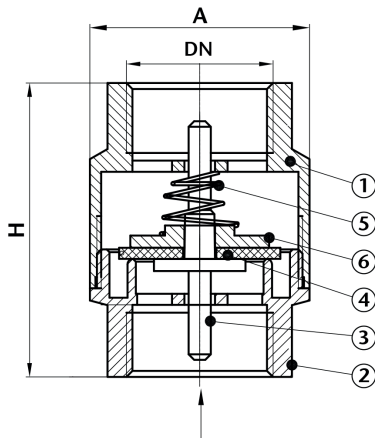
### Features

- Screwed BSP Parallel (ISO 228/1)
- Brass body
- Flat metal disc

### Technical data

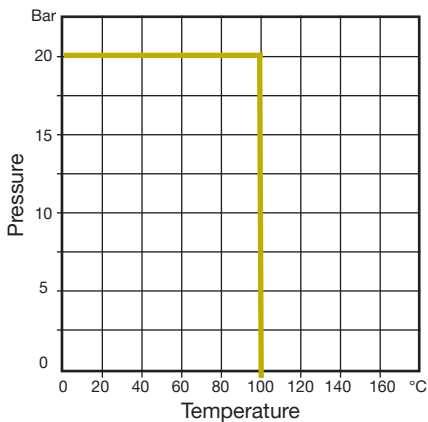
Max pressure: 20 Bar

Working temp: 0°C to +100°C



DN	3/8"	1/2"	3/4"	1"	1 1/4"	1 1/2"	2"	2 1/2"	3"	4"
A	32.5	32.5	39	45	55.5	59.5	80	95	110	143
H	48.5	48.5	52.2	55.5	64	69	82	98.5	106	111
Kv	2.1	2.8	4.4	6.8	10.0	17.0	26.0	43.0	75.0	112.0
Kgs	0.16	0.14	0.20	0.26	0.45	0.63	0.82	1.47	1.98	3.40

N.	Part Name	Materials
1	Body	Brass CW617N
2	Bonnet	Brass CW617N
3	Disc Holder	Brass CW617N
4	Disc	NBR
5	Spring	Stainless Steel 304
6	Spring Holder	Brass



V1. Dimensions in mm

This data sheet is designed as a guide and should not be regarded as wholly accurate in every detail. We reserve the right to amend the specification of any product without notice.