

Stainless Steel Multi-Round Housings

From 3 round to 36 round

Offered in two versions, Standard and Premier, excepting flow rates from 11 to 3600 lpm. The Premier range incorporates swing bolt closures and, in the larger sizes, a davit arm assembly, for easy and safe housing maintenance. The Premier range is supplied with pressure gauges as well as DN flanged connections for simple line connection. The Standard range is manufactured from the same high quality material and to the same design standards as the Premier range, however the closing device is the industry accepted V-band clamp and the ports are threaded. To provide the flexibility both the Premier and Standard ranges are supplied complete with a universal cartridge plate.

Maximum Flowrate Capacity



Pressure Vent

De-pressurise housing for safe and easy changeout.

Davit Arm Assembly

On Premier 12/21/36 round housings the Davit arm and wheel enables efficient, quick and safe maintenance and changeout.

Swing Bolt

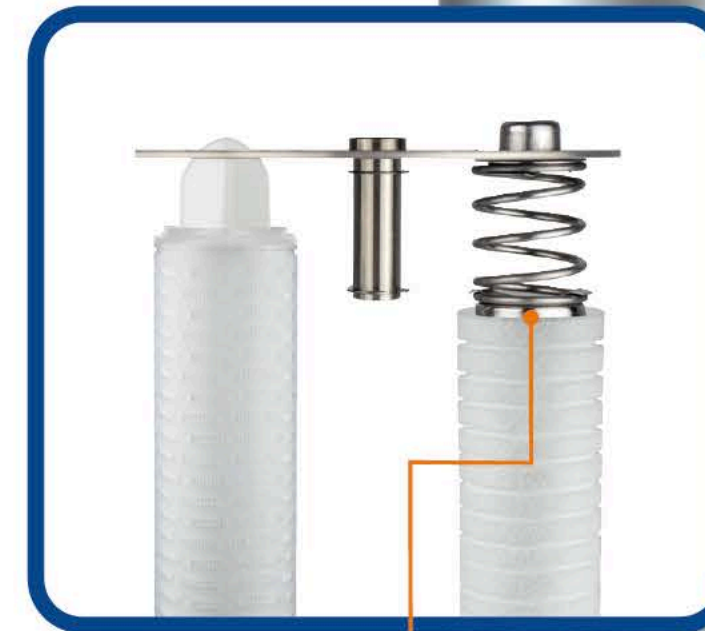
No tools required or loose parts during cartridge change out.

Tie Rod & Top Plate

Keep cartridges centralised in the housing, providing easy installation.

V-Band Clamp

This sealing mechanism screws the clamp unit together simply, creating a water tight seal.



Cartridge adaptor springs

Designed to facilitate the installation of DOE or AA cartridges, the springs create a secure seal between the cartridge and housing top plate.



Legs

Supplied as standard on all housings, enabling housing to be secured to the floor for safety and security.

Baffle Plate

Placed on the inlet, the baffle plate deflects the water up into the housing, distributing flow across all cartridges.

Pressure Gauges

Allows for easy monitoring of differential pressure.



Universal Plate

Supplied as standard, the plate allows for both DOE/AA and 222 end cap filters to be installed, at no extra cost.

Standard Features

V-Band Clamp



Premier Features

Davit Arm Assembly



Swing Bolts



Pressure Gauges



FDA
Compliant Materials

PED
Compliant
Article 4, Paragraph 3
Group 2 Liquids

Stainless Steel Multi-Round Housings

Premier

Designed with the user in mind, the swing bolt and hinged lid or Davit arm assembly enables cartridge changeout to be achieved with no loose parts, heavy lifting or tools required. Manufactured with lids weighing up to 60 kg, these heavy-duty housings ensure all health and safety angles are covered by this Premier housing feature, whilst also providing reduced labour operation for engineers carrying out cartridge changeouts. Extensive stock holding, along with complete technical back up, ensures confidence in finding the correct housing for each application. All housings come complete with a universal plate which is capable of accepting both DOE and 222 fittings.

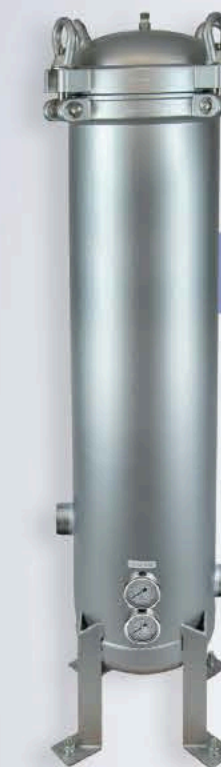
Cartridge Compatibility

Designed to enhance the performance of the SPECTRUM cartridge range, whilst accommodating all industry standard cartridges.



Which Size Housing?

SPECTRUM Premier multi-round housings range in size from 7 round to 36 round, with flow rates from 27 to 3600 litres per minute.



7 Round

27 - 700 lpm



12 Round

137 - 1200 lpm



36 Round

410 - 3600 lpm

21 Round

239 - 2100 lpm



dwi

FDA
Compliant Materials

PED
Compliant

Article 4, Paragraph 3
Group 2 Liquids



Multi-Round Inox Filter Housings

Premier - 7 Round

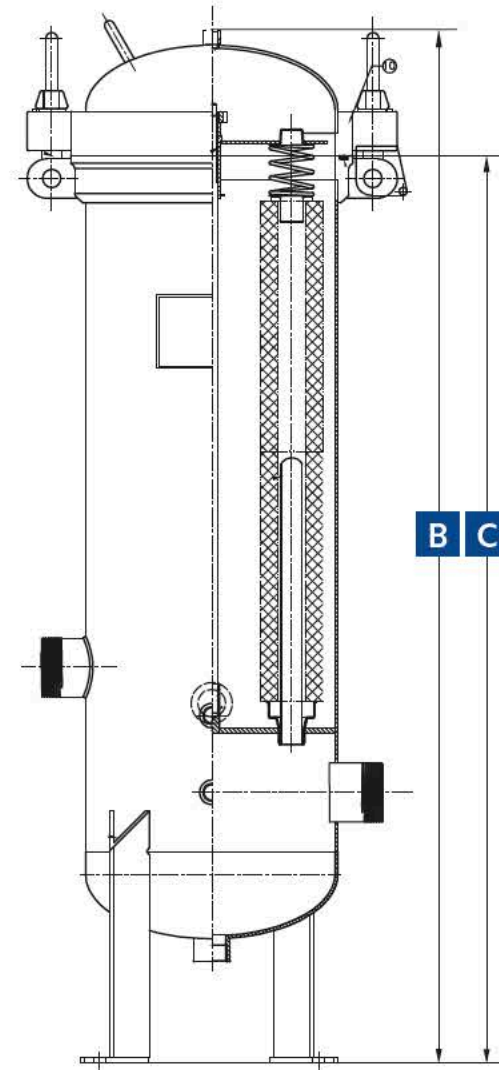
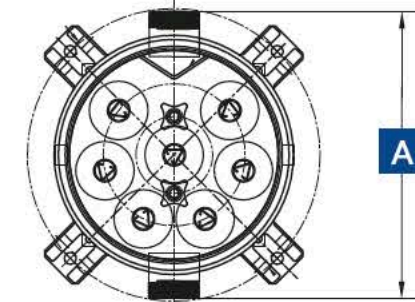
The Premier range benefits operators with a swing bolts and hinged lid configuration which keep the head secured to the vessel during cartridge changeout. Additional drain ports also assist cartridge changeout allowing for complete emptying of the housing, while the supplied pressure gauges provide accurate differential pressure readings for filter monitoring. The 7 round housings accept seven cartridges in 30" or 40" with 2" BSPM inlet and outlet connections with the 40" being the first in the range to be available with 3" flanged connection.



FDA
Compliant Materials

PED
Compliant
Article 4, Paragraph 3
Group 2 Liquids

Technical Drawing



Dimensions (mm)			
Housing	A	B	C
PFH-SPC-7-30	343	1414	1174
PFH-SPC-7-40	343	1668	1428

Key Features

- Swing bolt closure for a secure seal
- Universal cartridge adaptors securely hold 222, DOE or AA cartridges
- Drain ports allow for quick and easy cartridge change-outs
- Protective polycoat finish

Pressure Vent
Vent pressure after use or release trapped air after cartridge changeout.

Swing Bolt
Provides a quick and convenient sealing method.

Hinged
Allowing for easy removal of the head.

Tie Rod and Top Plate
Mobile, adjustable plate ensure simple installation and allows for length variations.

Surface Finish
The polycoat finish provides everyday protection, guarding against corrosion.

Inlet
2" BSPM in standard configurations.

Universal Cartridge Plate
DOE/AA and 222 compatible.

4x Mounting Legs
Heavy duty, stainless steel legs bolt to the floor for security.

Outlet
2" BSPM port carries filtered fluid out. Flange options available.

Drain Ports
Located on the clean and dirty side, the drain ports allow for easy and quick emptying of the fluid within.

Pressure Gauges
Supplied as standard with Premier housings, the gauges allow for easy monitoring of differential pressure.

Flow Rate (lpm)

	Carbon	Depth	Pleated
30"	80	420	525
40"	106	560	700

Specification

Port Sizes (")

2 BSPM 3F DN80 Flange

Cartridge Compatibility (")

30 40

End-Cap Compatibility

222 EG/EH Ended eg. Pleat DOE Double open ended eg. TruDepth AA Gasket ended eg. Carbon

Temperature (°C) Pressure Rating (bar)

120 10

Materials

Head & Body - 316L Stainless Steel - Polycoated
Eye Nut & Swing Bolt - 304 & Zinc Plated Steel
Legs - 304 Stainless Steel O-Ring - Buna-N

Code	Description	Box Weight (kg)
PFH-SPC-7-30-2-GP-ML	SPECTRUM INOX Premier Filter Housing 7 X 30" 2" BSPM with Gauges	50
PFH-SPC-7-40-2-GP-ML	SPECTRUM INOX Premier Filter Housing 7 X 40" 2" BSPM with Gauges	55
PFH-SPC-7-40-3F-GP-ML	SPECTRUM INOX Premier Filter Housing 7 X 40" 3" DN80 Flange with Gauges	57

Multi-Round Inox Filter Housings

Premier - 12 Round

Larger Premier housings, starting from the 12 round, offer additional peace-of-mind by utilising a swing bolt and Davit arm assembly. This feature, safely and effortlessly moves the housing lid to one side during changeout, eliminating the need for heavy lifting and significantly reducing downtime. Accommodating flowrates up to 1200 litres per minute, these housings include 3" DN80 inlet and outlet connections on the 12 x 30" version and 4" DN100 on the 12 x 40". Drain ports for complete emptying of the housing during changeout and pressure gauges to provide accurate differential pressure readings for filter monitoring.



FDA
Compliant Materials

PED
Compliant
Article 4, Paragraph 3
Group 2 Liquids

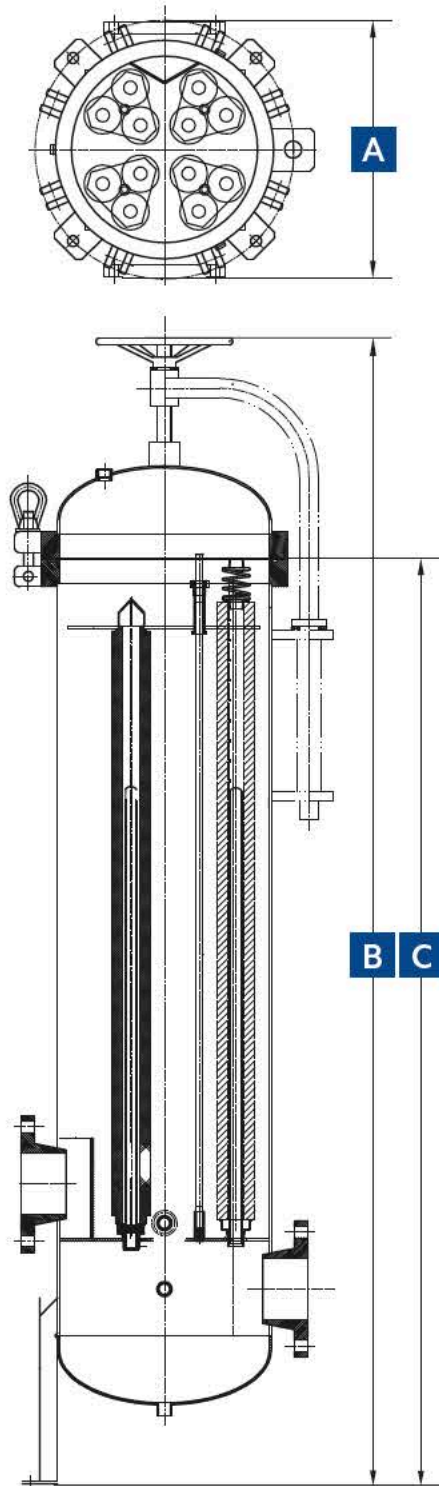
Key Features

- Swing bolt closure for a secure seal
- Universal cartridge adaptors securely hold 222, DOE or AA cartridges
- Drain ports allow for quick and easy cartridge change-outs
- Protective polycoat finish

Flow Rate (lpm)

	Carbon	Depth	Pleated
30"	137	720	900
40"	182	960	1200

Technical Drawing



Dimensions (mm)			
Housing	A	B	C
PFH-SPC-12-30	477	1671	1288
PFH-SPC-12-40	477	1925	1542

Pressure Vent

Vent pressure after use or release trapped air after cartridge changeout.

Swing Bolt

Provides a quick and convenient sealing method.

Tie Rod and Top Plate

Mobile, adjustable plates ensure simple installation and allows for length variations.

Inlet

3" DN80 or 4" DN100 flanged connection as standard.

4x Mounting Legs

Heavy duty, stainless steel legs bolt to the floor for security.

Drain Ports

Located on the clean and dirty side, the drain ports allow for easy and quick emptying of the fluid within.

Davit Assembly

Turning wheel to safely lift and swing the head open for cartridge changeout.

Hinged

Allowing for easy removal of the head.

Surface Finish

The polycoat finish provides everyday protection, guarding against corrosion.

Universal Cartridge Plate

DOE/AA and 222 compatible.

Outlet

3" DN80 or 4" DN100 flanges, carry filtered fluid out.

Pressure Gauges

Supplied as standard with premier housings, the gauges allow for easy monitoring of differential pressure.

Specification

Port Sizes (")

3F DN80 Flange	4F DN100 Flange
--------------------------	---------------------------

Cartridge Compatibility (")

30	40
-----------	-----------

End-Cap Compatibility

222 EG/EH Ended eg. Pleat	DOE Double open ended eg. TruDepth	AA Gasket ended eg. Carbon
--	---	---

Temperature (°C) Pressure Rating (bar)

120	10
------------	-----------

Materials

Head & Body - 316L Stainless Steel - Polycoated	
Eye Nut & Swing Bolt - 304 & Zinc Plated Steel	
Legs - 304 Stainless Steel	O-Ring - Buna-N

Code	Description	Box Weight (kg)
PFH-SPC-12-30-3F-GP-ML	SPECTRUM INOX Premier Filter Housing 12X30" 3" DN80 Flange with Gauges	129
PFH-SPC-12-40-4F-GP-ML	SPECTRUM INOX Premier Filter Housing 12X40" 4" DN100 Flange with Gauges	137

Multi-Round Inox Filter Housings

Premier - 21 Round

The 21 round housing utilises a swing bolt and Davit arm assembly to safely and effortlessly move the housing lid to one side, eliminating the need for heavy lifting and significantly reducing downtime during changeout. Providing effective filtration equivalent to 84 10" cartridges, this housing is supplied with 4" DN100 inlet and outlet connections, drain ports for complete emptying of the housing during changeout and pressure gauges to provide accurate differential pressure readings for filter monitoring.



FDA
Compliant Materials

PED
Compliant
Article 4, Paragraph 3
Group 2 Liquids

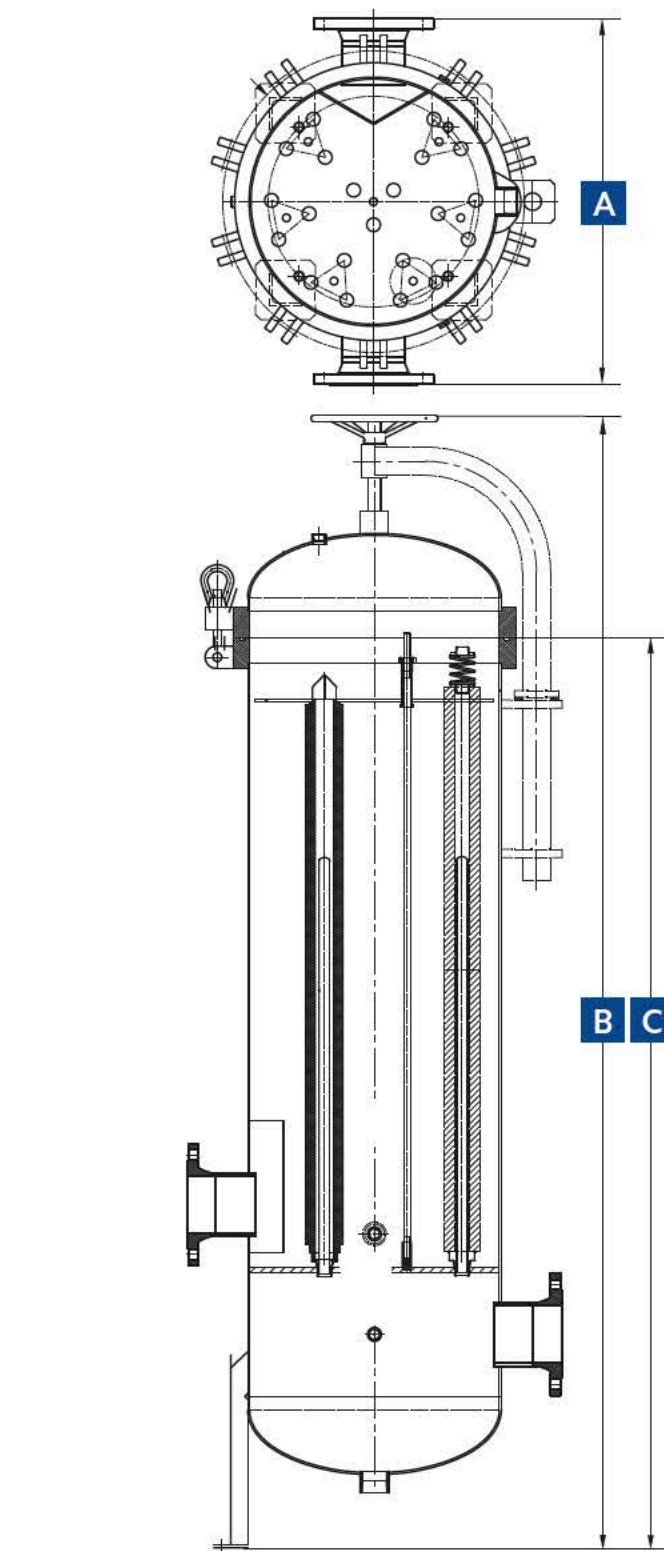
Key Features

- Swing bolt closure for a secure seal
- Universal cartridge adaptors securely hold 222, DOE or AA cartridges
- Drain ports allow for quick and easy cartridge change-outs
- Protective polycoat finish

Flow Rate (lpm)

	Carbon	Depth	Pleated
30"	239	1260	1575
40"	319	1680	2100

Technical Drawing



Dimensions (mm)			
Housing	A	B	C
PFH-SPC-21-30	578	1785	1384
PFH-SPC-21-40	578	2039	1638

Pressure Vent

Vent pressure after use or release trapped air after cartridge changeout.

Swing Bolt

Provides a quick and convenient sealing method.

Tie Rod and Top Plate

Mobile, adjustable plates ensure simple installation and allows for length variations.

Inlet

4" DN100 flanged connection as standard.

4x Mounting Legs

Heavy duty, stainless steel legs bolt to the floor for security.

Drain Ports

Located on the clean and dirty side, the drain ports allow for easy and quick emptying of the fluid within.

Davit Assembly

Turning wheel to safely lift and swing the head open for cartridge changeout.

Hinged

Allowing for easy removal of the head

Surface Finish

The polycoat finish provides everyday protection, guarding against corrosion.

Universal Cartridge Plate

DOE/AA and 222 compatible.

Outlet

4" DN100 flange carries filtered fluid out.

Pressure Gauges

Supplied as standard with premier housings, the gauges allow for easy monitoring of differential pressure.

Specification

Port Sizes (")

4F
DN100 Flange

Cartridge Compatibility (")

30 **40**

End-Cap Compatibility



Temperature (°C) Pressure Rating (bar)

120 **10**

Materials

Head & Body - 316L Stainless Steel - Polycoated	
Eye Nut & Swing Bolt - 304 & Zinc Plated Steel	
Legs - 304 Stainless Steel	O-Ring - Buna-N

Code	Description	Box Weight (kg)
PFH-SPC-21-30-4F-GP-ML	SPECTRUM INOX Premier Filter Housing 21X30" 4" DN100 Flange with Gauges	218
PFH-SPC-21-40-4F-GP-ML	SPECTRUM INOX Premier Filter Housing 21X40" 4" DN100 Flange with Gauges	237

Multi-Round Inox Filter Housings

Premier - 36 Round

The largest multi-cartridge housing, the 36 round exemplifies a blend of functionality and ease-of-use in high capacity industrial applications. Cartridge change out can be a one person task with no specialist tools with the davit arm and eye bolt configuration. With flow rate capabilities of up to 3600 litres per minute, this housing is supplied with 6" DN150 inlet and outlet connections, drain ports for complete emptying of the housing during changeout and pressure gauges to provide accurate differential pressure readings for monitoring filter cartridge performance.



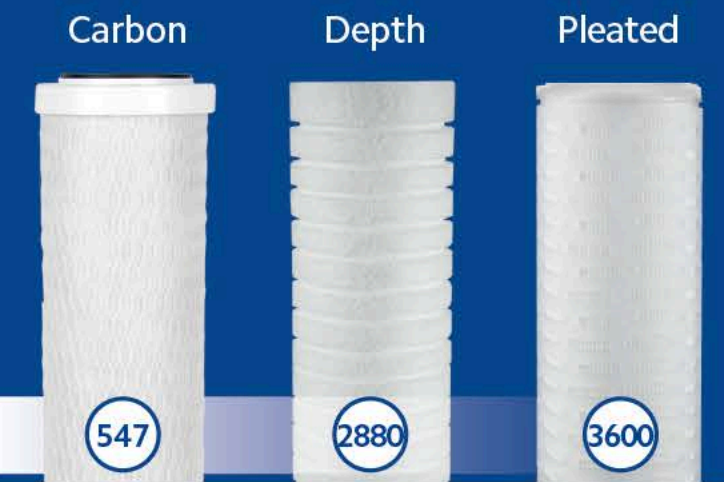
FDA
Compliant Materials

PED
Compliant
Article 4, Paragraph 3
Group 2 Liquids

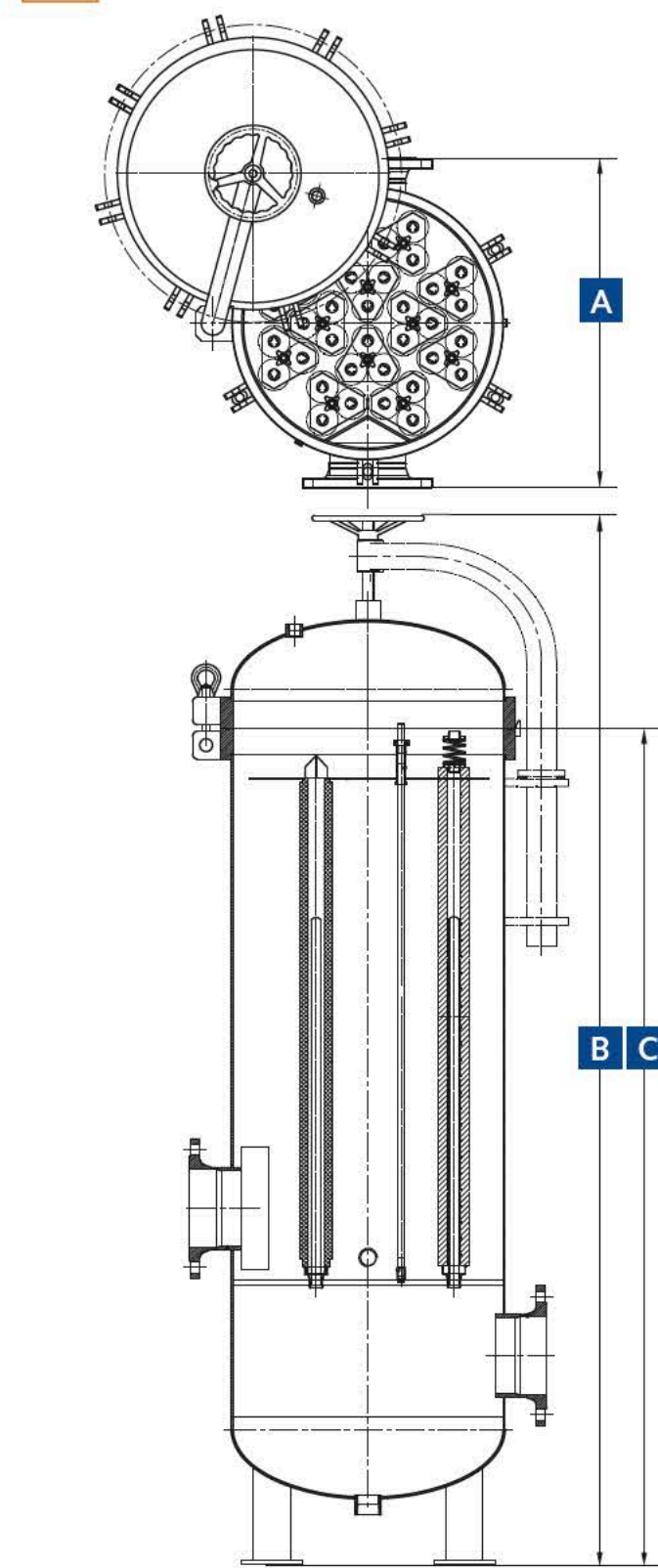
Key Features

- Swing bolt closure for a secure seal
- Universal cartridge adaptors securely hold 222, DOE or AA cartridges
- Drain ports allow for quick and easy cartridge change-outs
- Protective polycoat finish

Flow Rate (lpm)



Technical Drawing



Dimensions (mm)			
Housing	A	B	C
PFH-SPC-36-40	728	2146	1704

Pressure Vent

Vent pressure after use or release trapped air after cartridge changeout.

Swing Bolt

Provides a quick and convenient sealing method.

Tie Rod and Top Plate

Mobile, adjustable plates ensure simple installation and allows for length variations.

Inlet

6" DN150 flanged connection as standard.

4x Mounting Legs

Heavy duty, stainless steel legs bolt to the floor for security.

Drain Ports

Located on the clean and dirty side, the drain ports allow for easy and quick emptying of the fluid within.

Davit Assembly

Turning wheel to safely lift and swing the head open for cartridge changeout.

Hinged

Allowing for easy removal of the head

Surface Finish

The polycoat finish provides everyday protection, guarding against corrosion.

Universal Cartridge Plate

DOE/AA and 222 compatible.

Outlet

6" DN150 flange carries filtered fluid out.

Pressure Gauges

Supplied as standard with premier housings, the gauges allow for easy monitoring of differential pressure.

Specification

Port Sizes (")

6F

DN150 Flange

Cartridge Compatibility (")

40

End-Cap Compatibility

222

EG/EH Ended
eg. Pleat

DOE

Double open ended
eg. TruDepth

AA

Gasket ended
eg. Carbon

Temperature (°C) Pressure Rating (bar)

120

10

Materials

Head & Body - 316L Stainless Steel - Polycoated

Eye Nut & Swing Bolt - 304 & Zinc Plated Steel

Legs - 304 Stainless Steel O-Ring - Buna-N

Code	Description	Box Weight (kg)
PFH-SPC-36-40-6F-GP-ML	SPECTRUM INOX Premier Filter Housing 36X40" 6" DN150 Flange with Gauges	312