

Stainless Steel Multi-Round Housings

From 3 round to 36 round

Offered in two versions, Standard and Premier, excepting flow rates from 11 to 3600 lpm. The Premier range incorporates swing bolt closures and, in the larger sizes, a davit arm assembly, for easy and safe housing maintenance. The Premier range is supplied with pressure gauges as well as DN flanged connections for simple line connection. The Standard range is manufactured from the same high quality material and to the same design standards as the Premier range, however the closing device is the industry accepted V-band clamp and the ports are threaded. To provide the flexibility both the Premier and Standard ranges are supplied complete with a universal cartridge plate.

Maximum Flowrate Capacity



Pressure Vent

De-pressurise housing for safe and easy changeout.

Davit Arm Assembly

On Premier 12/21/36 round housings the Davit arm and wheel enables efficient, quick and safe maintenance and changeout.

Swing Bolt

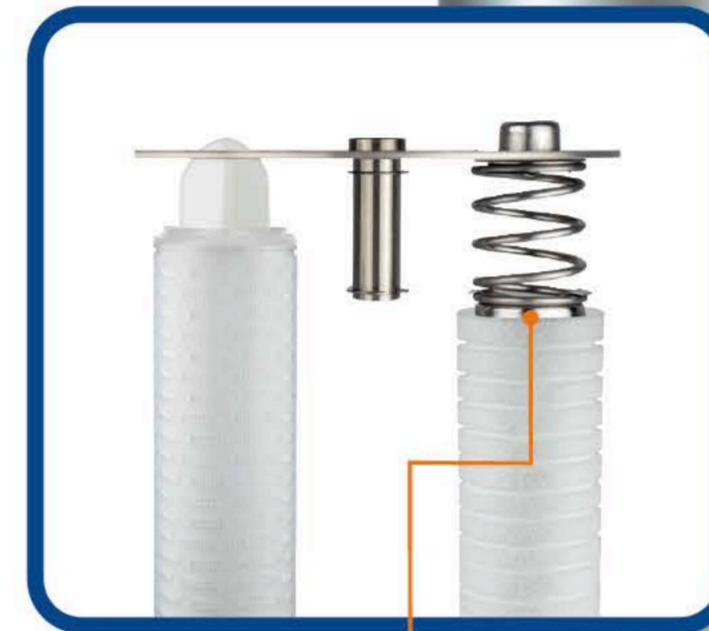
No tools required or loose parts during cartridge change out.

Tie Rod & Top Plate

Keep cartridges centralised in the housing, providing easy installation.

V-Band Clamp

This sealing mechanism screws the clamp unit together simply, creating a water tight seal.



Cartridge adaptor springs

Designed to facilitate the installation of DOE or AA cartridges, the springs create a secure seal between the cartridge and housing top plate.



Legs

Supplied as standard on all housings, enabling housing to be secured to the floor for safety and security.

Baffle Plate

Placed on the inlet, the baffle plate deflects the water up into the housing, distributing flow across all cartridges.

Pressure Gauges

Allows for easy monitoring of differential pressure.



Universal Plate

Supplied as standard, the plate allows for both DOE/AA and 222 end cap filters to be installed, at no extra cost.

Standard Features

V-Band Clamp



Premier Features

Davit Arm Assembly



Swing Bolts



Pressure Gauges



Stainless Steel Multi-Round Housings

Standard

The Standard range is capable of operating up to 700lpm, with flow rates beyond this capacity requiring the feature loaded Premier range. From the 7 x 40" housing down to the 3 x 10", these smaller vessels do not require the additional heavy duty features such as Davit assemblies and swing-bolt lids. Still manufactured from 316L stainless steel, with gauge ports, drain ports and a universal cartridge adaptor to accept AA, DOE and 222 end capped cartridges, this range offers a competitive solution for smaller flow rate applications.

Cartridge Compatibility

Designed to enhance the performance of the SPECTRUM cartridge range, whilst accommodating all industry standard cartridges.



3 Round
11-300 lpm



5 Round
19-500 lpm



7 Round
27-700 lpm

Which Size Housing?

SPECTRUM Standard multi-round housings range in size from 3 round to 7 round, with flow rates from 11 to 700 litres per minute.

dwi

FDA
Compliant Materials

PED
Compliant
Article 4, Paragraph 3
Group 2 Liquids



Multi-Round Inox Filter Housings

Standard - 3 Round

The smallest multi-round housings for rugged environments start at a 3 x 10", offering an alternative solution to where a single round equivalent is at maximum flow. With 2" ports, flow and pressure is dispersed throughout these wide housings and across the multiple cartridges resulting in lower pressure drop and more even particulate distribution. Housings are equipped with gauge ports and drain ports as standard, which allow pressure gauges to be fitted for filter monitoring and the housing to be fully emptied respectively.



dwi

FDA
Compliant Materials

PED
Compliant
Article 4, Paragraph 3
Group 2 Liquids

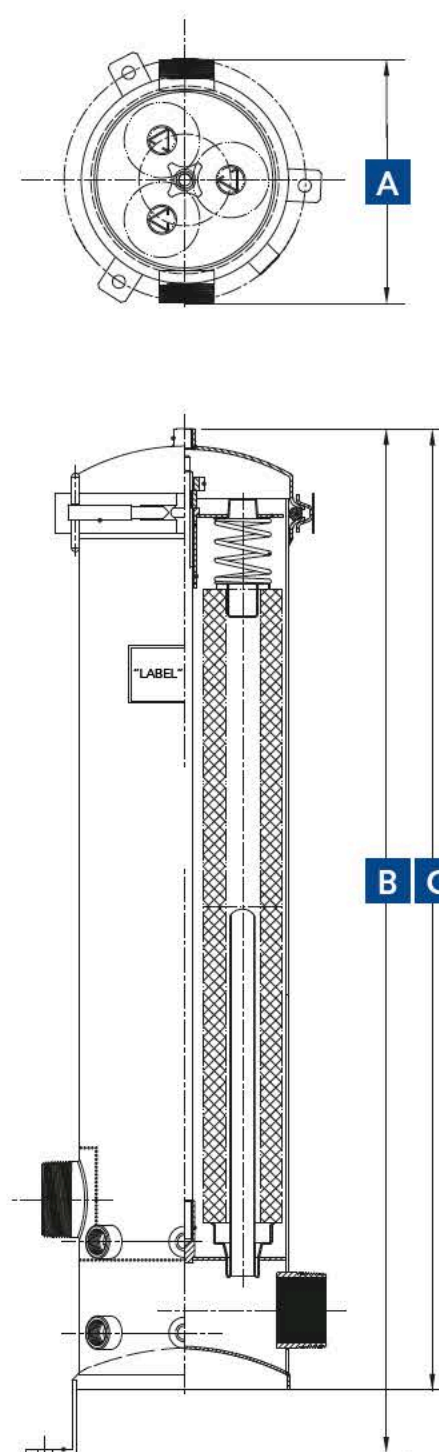
Key Features

- V-Clamp closure for a secure seal
- Universal cartridge adaptors securely hold 222, DOE or AA cartridges
- Drain ports allow for quick and easy cartridge changeout
- Gauges ports come fitted with 316L plugs when gauges are not required

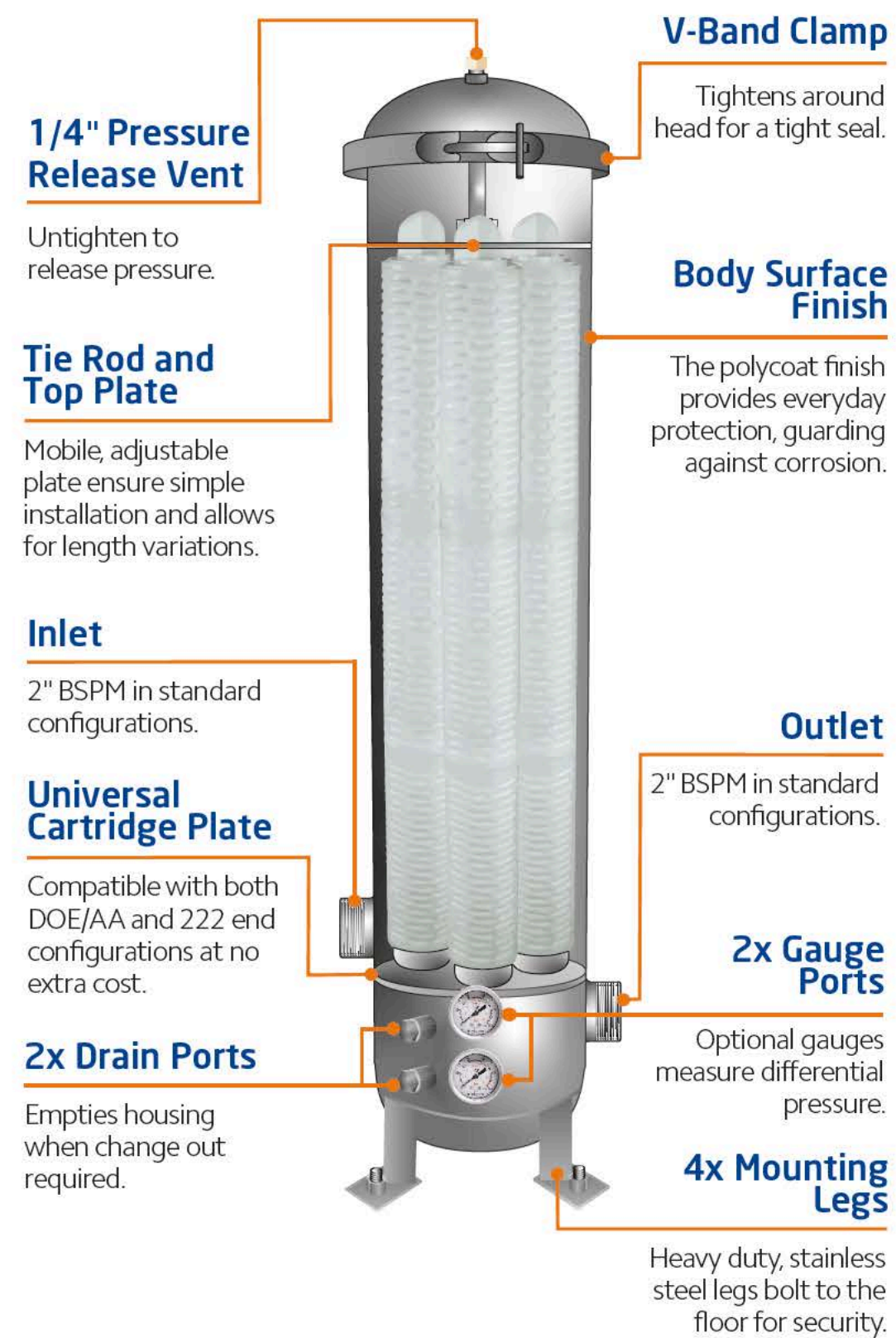
Flow Rate (lpm)

	Carbon	Depth	Pleated
10"	11	60	75
20"	23	120	150
30"	34	180	225
40"	46	240	300

Technical Drawing



Dimensions (mm)				
Housing	A	B	C	
SFH-SPC-3-10	228	568	517	
SFH-SPC-3-20	228	822	771	
SFH-SPC-3-30	228	1076	1025	
SFH-SPC-3-40	228	1330	1279	



Specification

Port Sizes (")

2
BSPM

Cartridge Compatibility (")

9 3/4 → 40
upto

End-Cap Compatibility



Temperature (°C) Pressure Rating (bar)*

120 10

Materials

Head & Body - 316L Stainless Steel - Polycoated	
V-Band Clamp - 304 Stainless Steel	
Legs - 304 Stainless Steel	O-Ring - Buna-N

* Hydrostatic Pressure Rating

Code	Description	Box Weight (kg)
SFH-SPC-3-10-2-GP-ML	SPECTRUM INOX Standard Filter Housing 3 X 10" 2" BSPM with Gauge Ports	13
SFH-SPC-3-20-2-GP-ML	SPECTRUM INOX Standard Filter Housing 3 X 20" 2" BSPM with Gauge Ports	16
SFH-SPC-3-30-2-GP-ML	SPECTRUM INOX Standard Filter Housing 3 X 30" 2" BSPM with Gauge Ports	19
SFH-SPC-3-40-2-GP-ML	SPECTRUM INOX Standard Filter Housing 3 X 40" 2" BSPM with Gauge Ports	22

Multi-Round Inox Filter Housings

Standard - 5 Round

An extension of the 3 round range, these 5 round housings take advantage of a nominal cost to increase body size, resulting in an increase in flow rate capacity of over 60%. As with the rest of the Standard range, these housings are supplied with gauge ports, to allow pressure gauges to be fitted for filter monitoring as well as drain ports for effective housing emptying, for easy change out and reduced product wastage.



dwi

FDA
Compliant Materials

PED
Compliant
Article 4, Paragraph 3
Group 2 Liquids

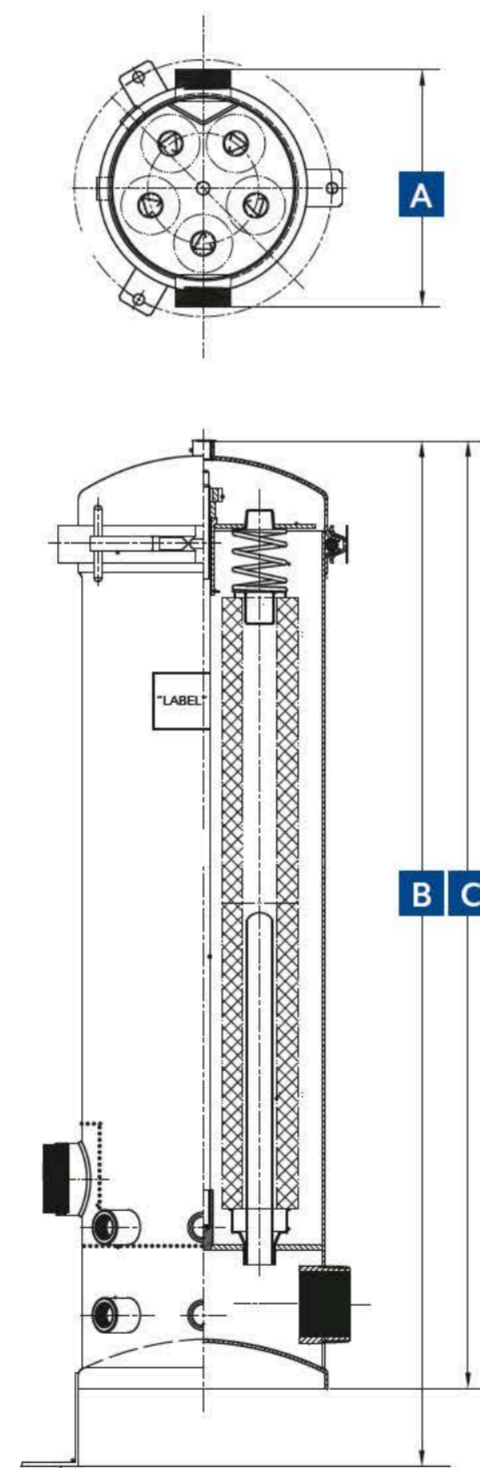
Key Features

- V-Clamp closure for a secure seal
- Universal cartridge adaptors securely hold 222, DOE or AA cartridges
- Drain ports allow for quick and easy cartridge changeout
- Gauges ports come fitted with 316L plugs when gauges are not required

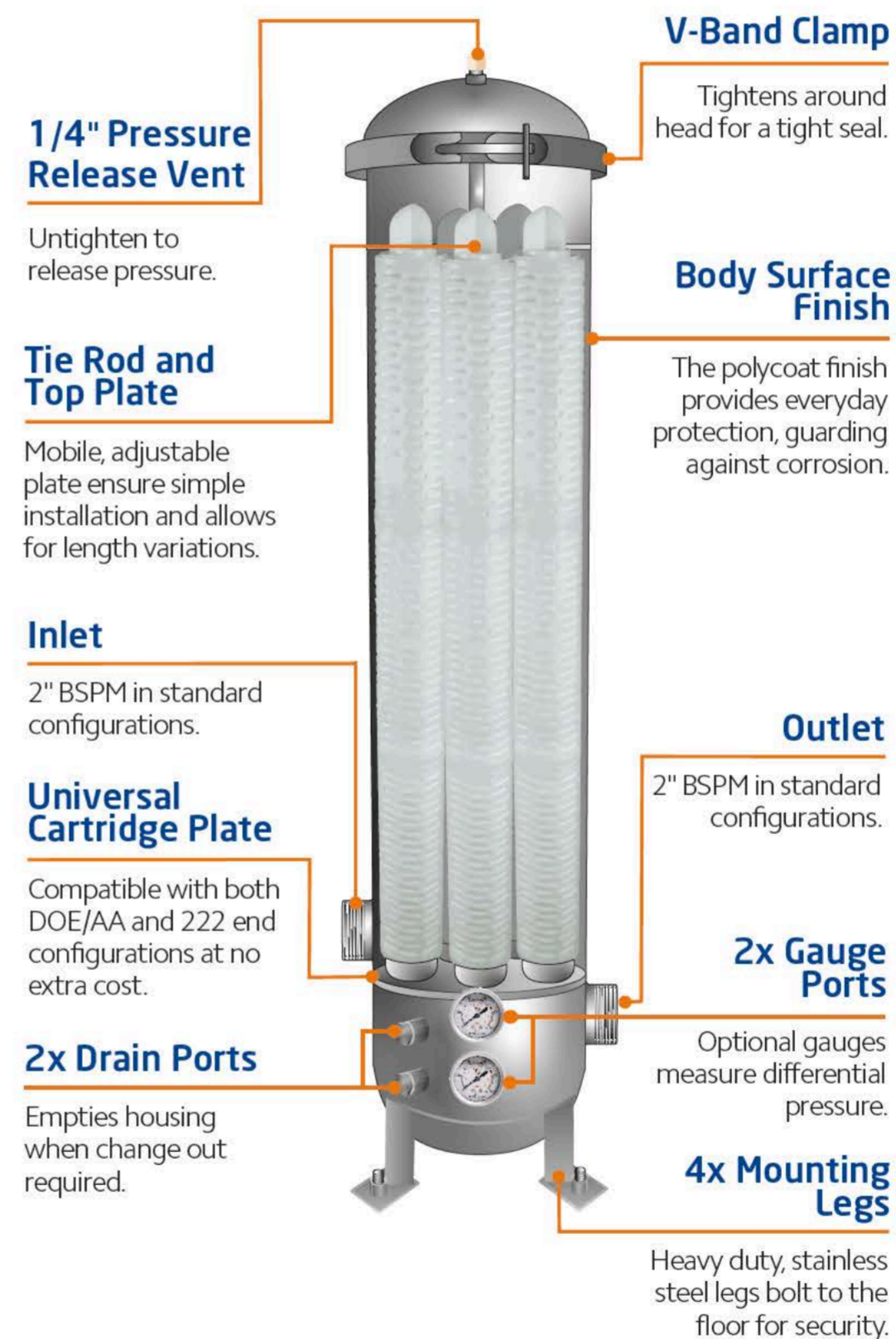
Flow Rate (lpm)

	Carbon	Depth	Pleated
10"	19	100	125
20"	38	200	250
30"	57	300	375
40"	76	400	500

Technical Drawing



Dimensions (mm)			
Housing	A	B	C
SFH-SPC-5-10	260	603	539
SFH-SPC-5-20	260	857	793
SFH-SPC-5-30	260	1111	1047
SFH-SPC-5-40	260	1365	1301



Specification

Port Sizes (")

2
BSPM

Cartridge Compatibility (")

9 3/4" → 40"
upto

End-Cap Compatibility



Temperature (°C) Pressure Rating (bar)*

120 10

Materials

Head & Body - 316L Stainless Steel - Polycoated
V-Band Clamp - 304 Stainless Steel
Legs - 304 Stainless Steel
O-Ring - Buna-N

* Hydrostatic Pressure Rating

Code	Description	Box Weight (kg)
SFH-SPC-5-10-2-GP-ML	SPECTRUM INOX Standard Filter Housing 5 X 10" 2" BSPM with Gauge Ports	15
SFH-SPC-5-20-2-GP-ML	SPECTRUM INOX Standard Filter Housing 5 X 20" 2" BSPM with Gauge Ports	18
SFH-SPC-5-30-2-GP-ML	SPECTRUM INOX Standard Filter Housing 5 X 30" 2" BSPM with Gauge Ports	21
SFH-SPC-5-40-2-GP-ML	SPECTRUM INOX Standard Filter Housing 5 X 40" 2" BSPM with Gauge Ports	24

Multi-Round Inox Filter Housings

Standard - 7 Round

The largest offering in the Standard range, the 7 x 40" housing has a maximum flow rate capacity of 700lpm whilst remaining an economic and ergonomic solution. These housings, due their relatively small footprint are typically combined into parallel systems, for increased flow rate potential or duty-standby systems for applications which require continuous service. Gauge ports and drain ports provide the required functionality for additional filter monitoring and simple cartridge change-out.



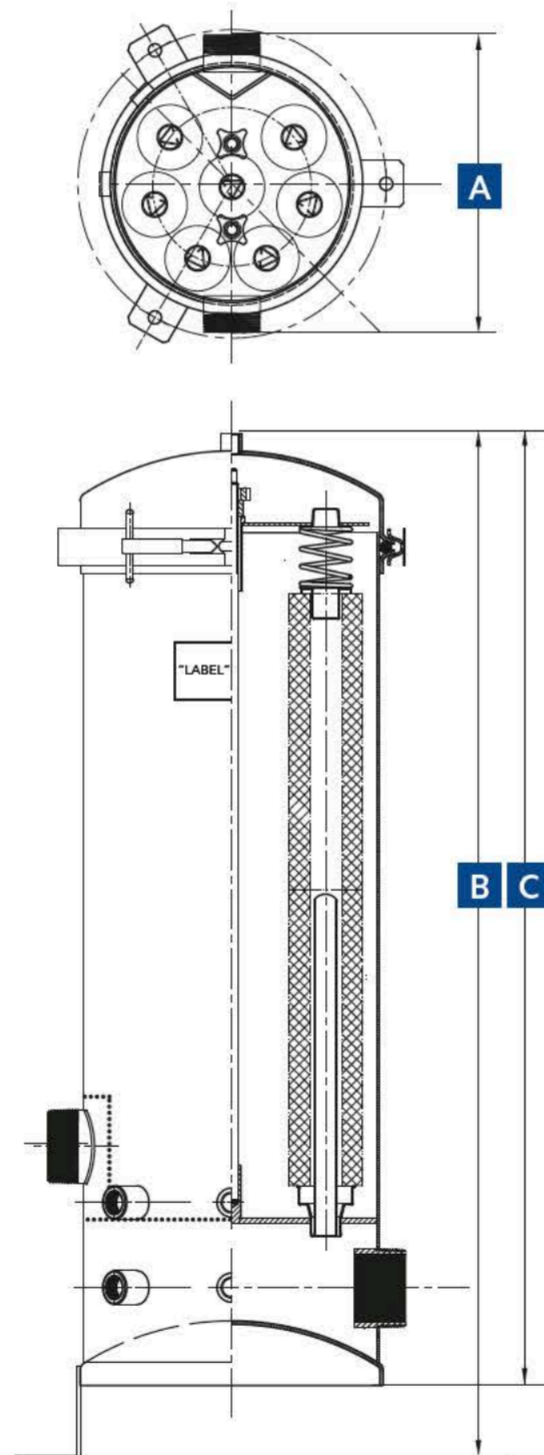
Key Features

- V-Clamp closure for a secure seal
- Universal cartridge adaptors securely hold 222, DOE or AA cartridges
- Drain ports allow for quick and easy cartridge changeout
- Gauges ports come fitted with 316L plugs when gauges are not required

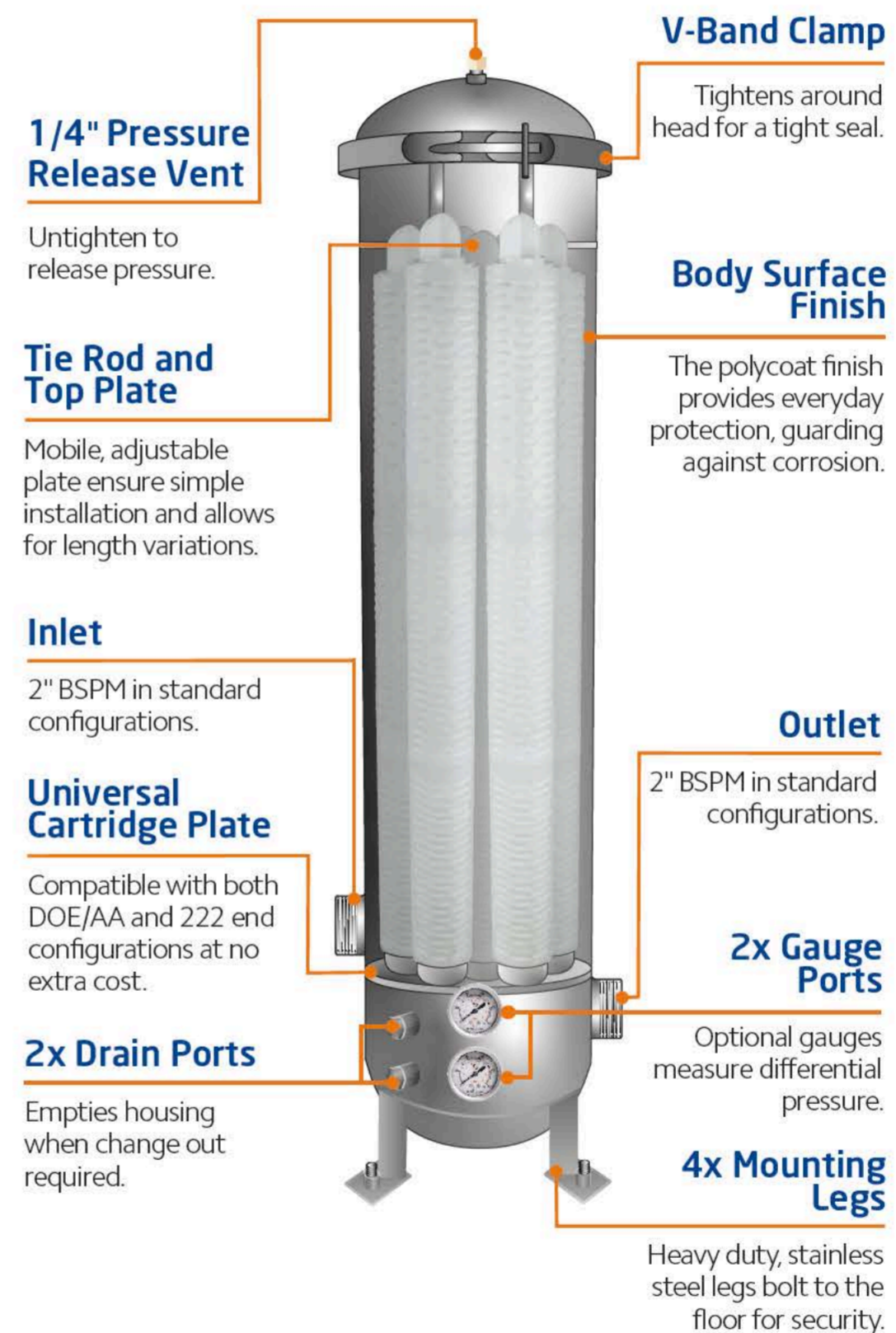
Flow Rate (lpm)

	Carbon	Depth	Pleated
20"	53	280	350
30"	80	420	525
40"	106	560	700

Technical Drawing



Dimensions (mm)			
Housing	A	B	C
SFH-SPC-7-20	316	885	821
SFH-SPC-7-30	316	1139	1075
SFH-SPC-7-40	316	1393	1329



Specification

Port Sizes (")



Cartridge Compatibility (")



End-Cap Compatibility



Temperature (°C) Pressure Rating (bar)*



Materials

Head & Body - 316L Stainless Steel - Polycoated
V-Band Clamp - 304 Stainless Steel
Legs - 304 Stainless Steel
O-Ring - Buna-N

* Hydrostatic Pressure Rating

Code	Description	Box Weight (kg)
SFH-SPC-7-20-2-GP-ML	SPECTRUM INOX Standard Filter Housing 7 X 20" 2" BSPM with Gauge Ports	24
SFH-SPC-7-30-2-GP-ML	SPECTRUM INOX Standard Filter Housing 7 X 30" 2" BSPM with Gauge Ports	29
SFH-SPC-7-40-2-GP-ML	SPECTRUM INOX Standard Filter Housing 7 X 40" 2" BSPM with Gauge Ports	34